

4

3

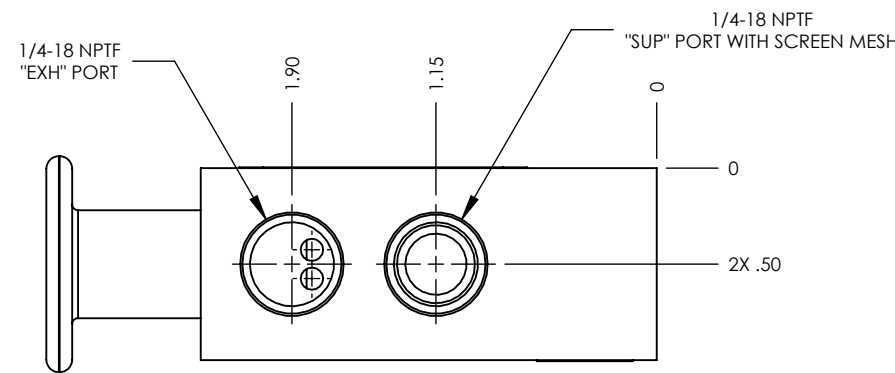
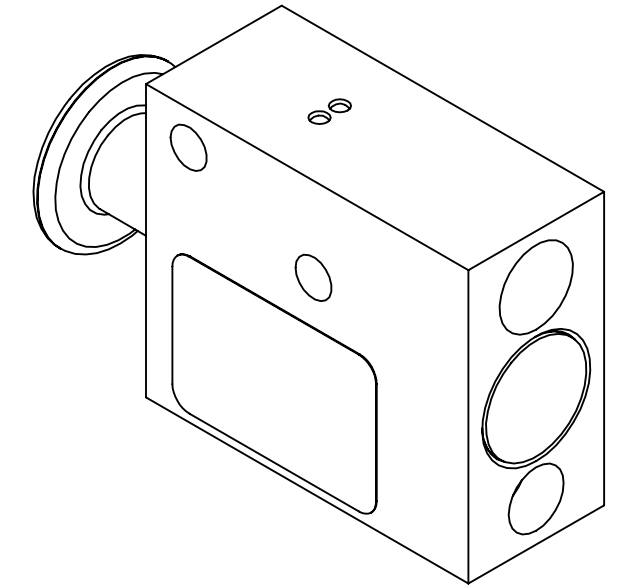
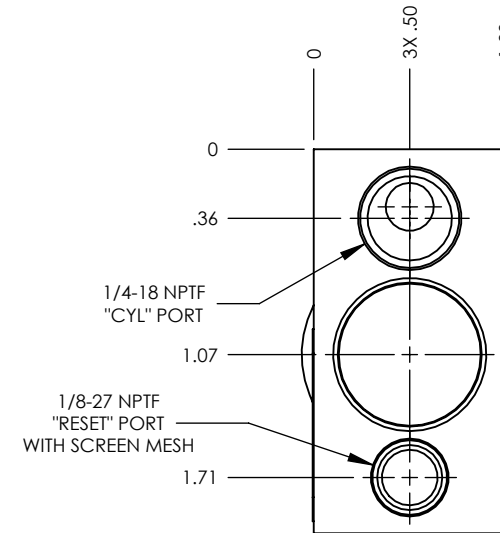
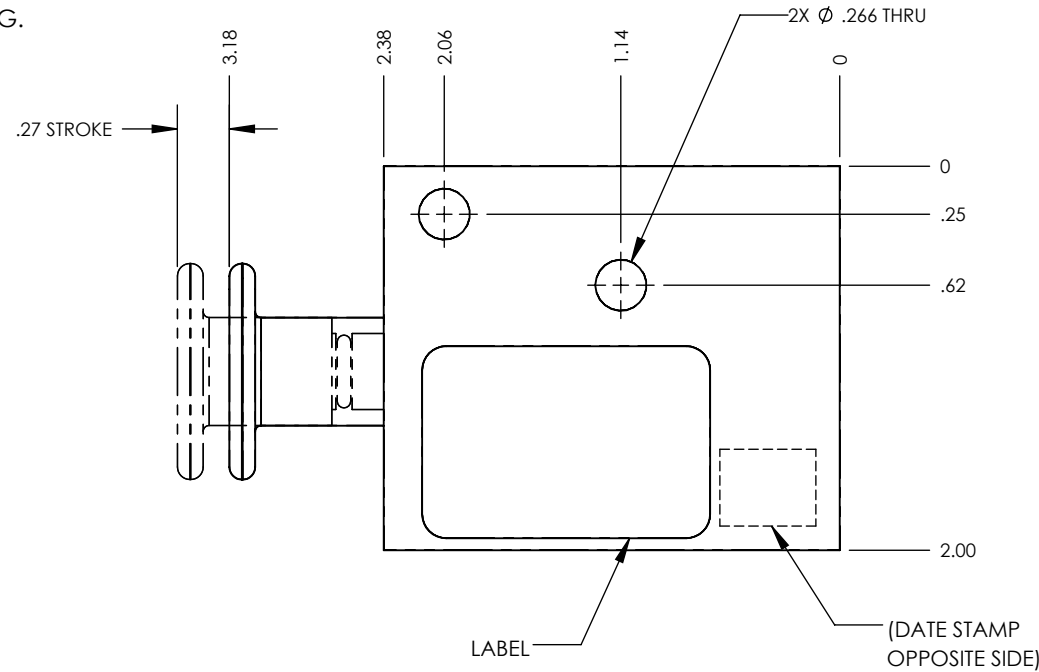
2

1

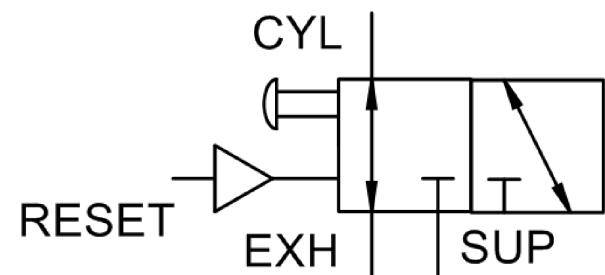
NOTES:

- 1. APPLICABLE STANDARDS/SPECIFICATIONS:
ASME Y14.5M-1994, DIMENSIONING AND TOLERANCING
ASME Y14.38-1999, ABBREVIATIONS
- 2. COMPONENT OR ITEM TO BE COMPLIANT WITH THE MOST CURRENT REVISION OF THE RoHS / Wee DIRECTIVE FOR THE REDUCTION OF HAZARDOUS SUBSTANCES AND MATERIALS.
- 3. TABLE PRINT: USE BOM ASSOCIATED WITH AIRMAN ASSEMBLY PART NUMBER. SUFFIXES (EXAMPLES -CLR AND -BLK) ATTACHED TO THE END OF THE AIRMAN PART NUMBER WILL INDICATE THE COLUMN TO USE.
- 4. ITEM INDIVIDUALLY SEALED IN BAG.

| REV | DATE | EC # | ZONE | DESCRIPTION | DRAWN | CKD |
|-----|------------|------|------|---------------------|-------|-----|
| A | 2014-02-20 | | | ORIGINATED | AJ | |
| A1 | 2018-04-19 | | | SOLIDWORKS RELEASE | MJO | CED |
| A2 | 2019-11-14 | | | UPDATE LABEL & NAME | NR | CED |

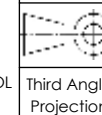


| | |
|--------------------------|---|
| FUNCTION | 3/2 PUSH/PULL W/ AIR PILOT RESET |
| MECHANICAL MATERIALS | ALUMINUM BODY & KNOB |
| SEALS | LOW TEMP. NITRILE, LOW COMP. SET POLYURETHANE |
| FASTENERS | N/A |
| MTG STYLE | BODY SIDE MOUNT |
| ASSY LUBRICATION | HEAVY TRANSPORT SILICONE |
| FLOW | .8 Cv |
| TEMP | -40°F TO 180°F |
| FILTRATION | SS MESH |
| SYSTEM LUBRICATION REQ'D | N/A |
| PRESSURE RANGE | MIN: 0 MAX: 150 psi |
| LEAK | <20sccm @120PSI |
| ELECTRICAL VOLTAGE | N/A |
| CURRENT | N/A |



| AIRman PART NUMBER CHART | |
|--------------------------|-------------------|
| AIRman PART NUMBER | ANODIZATION COLOR |
| B2400-889-BLK | BLACK-ANODIZED |
| B2400-889-CLR | CLEAR-ANODIZED |

NOTE: PART MUST BE CLEAN AND BURR FREE
MFG TOLERANCES UNLESS OTHERWISE NOTED:
ALL UNITS ARE INCHES
(2) DECIMAL PLACES: ±.01
(3) DECIMAL PLACES: ±.005
ANGLES: ±.5°
BREAK ALL EDGES .005/.015 X 45°
MACHINED SURFACES TO BE 63 RMS
CRITICAL CHARACTERISTIC - CONTROL PLAN REQUIRED



CONFIDENTIAL: THIS DRAWING OR ANY PART THEREOF IS PROPRIETARY AND MAY NOT BE REPRODUCED OR COPIED WITHOUT WRITTEN CONSENT OF AIRMAN PRODUCTS

| DRAWN BY | NR | DESCRIPTION |
|--------------|------------|---------------------------------------|
| | | VALVE, .25 NPT, 3-2, PUSH-PULL, RESET |
| DRAWN DATE | 2019-11-14 | PART NUMBER |
| | | B2400-889 |
| DRAWING SIZE | B | |
| MATERIAL | SEE NOTES | |
| SCALE | 1:2 | |
| SHEET # | 1 OF 1 | |

CUSTOMER PRINT

4

3

2

1